

## МОДЕЛЬНЫЙ РЯД



RO EC с назад загнутыми  
лопатками и  
ЕС-двигателем  
для прямоугольных и  
крышных вентиляторов

## RO560B-10D-EC0S

### ТЕХНИЧЕСКИЕ ДАННЫЕ

Supply	3P, 380~480V	Rated speed	1750 r/min
Frequency	50/60 Hz	Max airflow	19500 m <sup>3</sup> /h (Static pressure=0Pa)
Rated voltage	400 VAC	Acoustic	84 dB(A) measured at 1.0m from inlet side
Power input	5150 W	ErP level	2020
Rated current	8.1 A		

- Operating ambient temperature range: -25°C~+50°C
- Working environment humidity range: <90%
- Transportation and storage temperature range: -40°C~+80°C
- Transportation and storage environment humidity range: <80%
- The storage place is well ventilated, corrosive gases not contained.

Mass	48 kg
Size	φ560 mm
Impeller material	Sheet aluminium
Rotation	Counter-clockwise(Seen from cable exit)
Protection class	IP54
Insulation class	F
Mounting	Shaft horizontal or rotor on bottom; rotor on top on request
Mode of operation	S1(Continuous operation)
Bearings	Maintenance-free ball bearings
Controller	Controller integrated with motor, 0~10V or PWM control

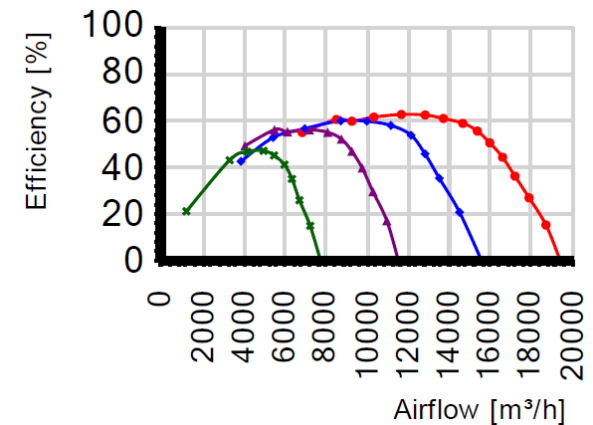
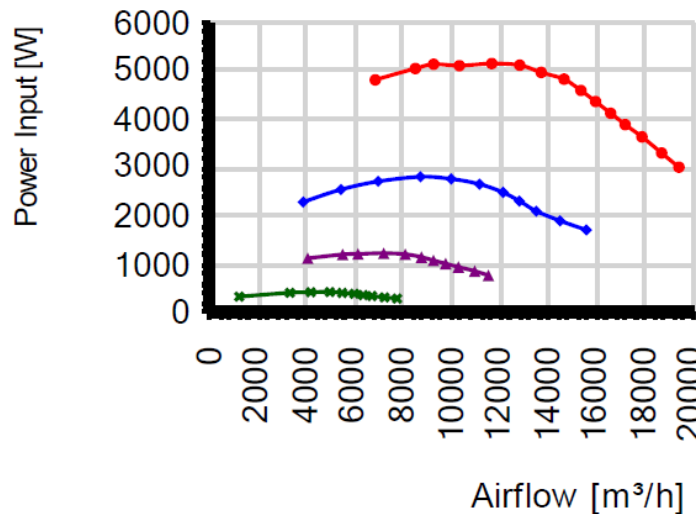
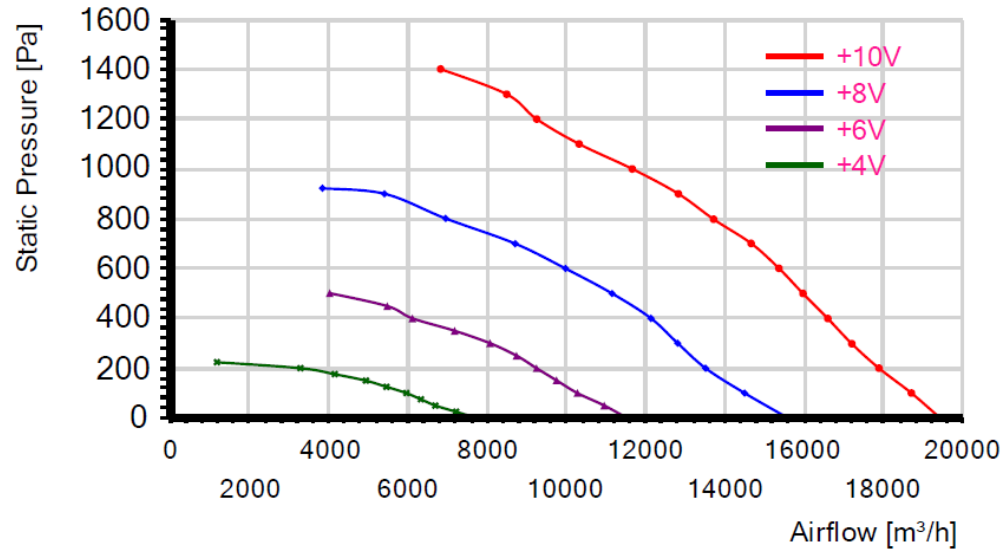
## МОДЕЛЬНЫЙ РЯД



RO EC с назад загнутыми лопатками и ЕС-двигателем для прямоугольных и крышных вентиляторов

### RO560B-10D-EC0S

ГРАФИКИ



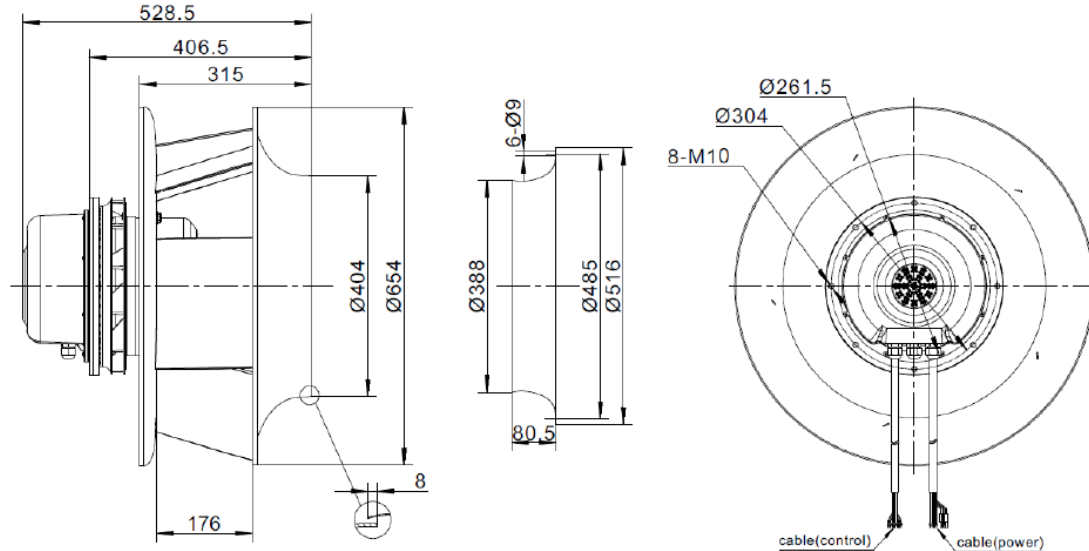
## МОДЕЛЬНЫЙ РЯД



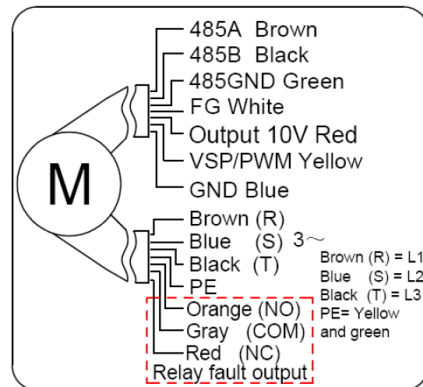
RO EC с назад загнутыми лопатками и EC-двигателем для прямоугольных и крышных вентиляторов

## RO560B-10D-EC0S

### ЧЕРТЁЖ



### СХЕМА ПОДКЛЮЧЕНИЯ



Connection	Assignment/function
L1、L2、L3	Three-phase supply connection, voltage range 380-480VAC, frequency 50/60Hz
PE	Protective earth
485A	RS485 interface for MODBUS-RTU
485B	RS485 interface for MODBUS-RTU
485GND	Reference ground for control interface
NC	Status relay, mode2--close on normal, open on fault
COM	Common connection of status relay, contact rating 250VAC/3A
NO	Status relay, mode2--open on normal, close on fault
FG	Speed feedback output, 2 pulses per revolution, can be customized
+10V	10VDC output, maximum output current 10mA
VSP/PWM	Speed control signal input connection, 0-10V voltage or PWM signal (amplitude 10-12V, frequency 1-10kHz)
GND	Signal ground for control interface